

 **Cavity Sliders™**

CL400® Magnetic Bi-Parting

CaviLock



Specs and Instructions



CL400[®] Magnetic Bi-Parting

The CL400 Bi-Parting set is suitable for use where two doors meet in the middle. Passage, Privacy, and Key Locking configurations are available.

The positive hold close action brings the doors together smoothly and holds them together until ready to open.

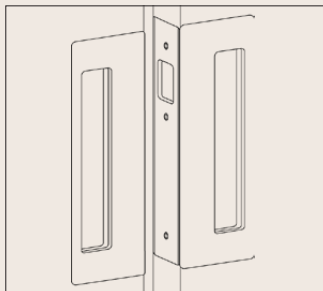
Note: Privacy and Key Locking configurations are not suitable as a high security option when used in a Bi-Parting door setup.

Features

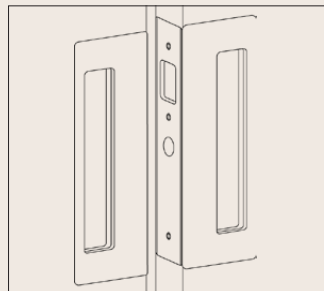
- Patented Magnetic Technology.
- Positive Grip For Heavy Doors.
- Suitable for pocket or barn door style sliding doors.
- Durability and Reliability

Configurations

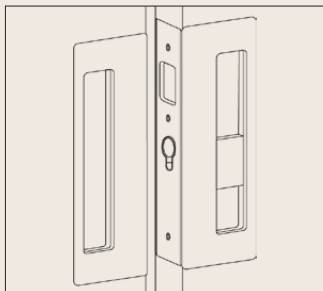
Passage - Non-Latching



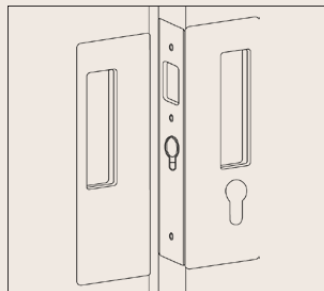
Passage - Latching



Privacy



Key Locking

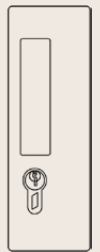


Matching Handle Set

Passage / Privacy



Key Locking



Finish Options



Bright Chrome



Satin Chrome



Oil Rubbed Bronze



Satin Nickel



Matte Black

Technical Information

Door Thickness	34-52mm
Suitable Door Types	Timber, Aluminium, Steel
Options	Passage, Privacy, and Key Locking

© All copyright and other property in this document is reserved by Cavity Sliders Ltd. Details and specifications are subject to change without notice. Whilst all care is taken to ensure the accuracy of all information, no responsibility will be accepted for any errors or omissions. Dimensions are in mm. **NZ Patent No. 733386, 628616. 08/2024**

CavitySliders.com

info@cavitysliders.co.nz

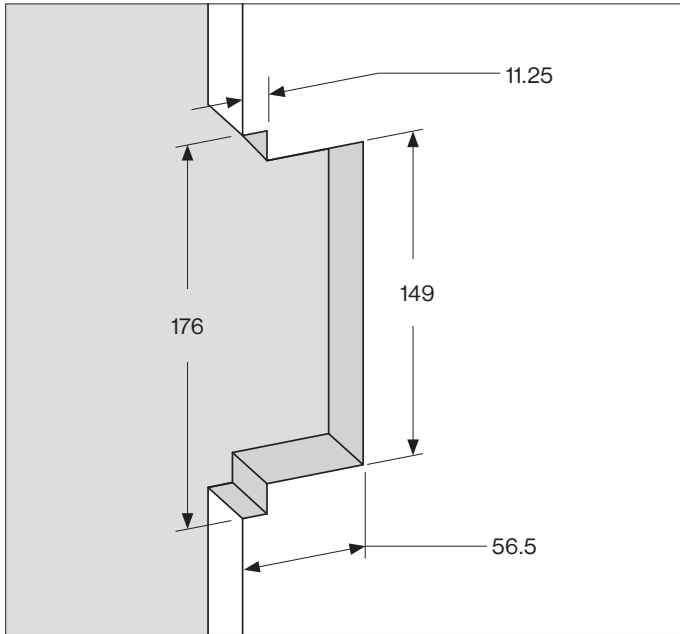
0800 754 337



Technical Detail

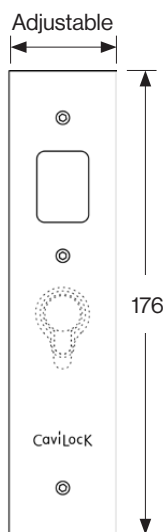
Door Cutout

The CL400® requires a simple door cutout. Complete instructions and templates are supplied with every handle.



Face Plate

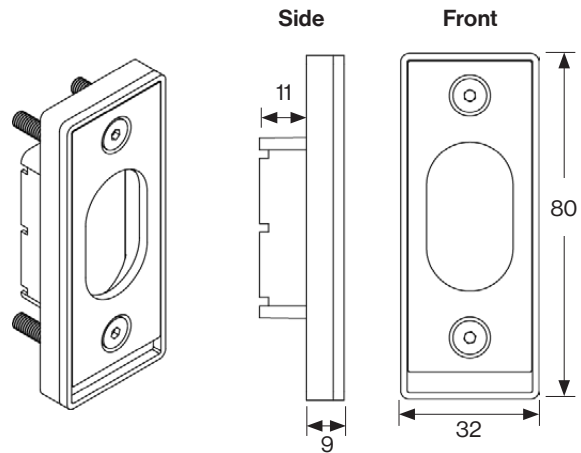
Two different face plate widths are available, to suit doors 1-3/8" and 1-3/4" thick.



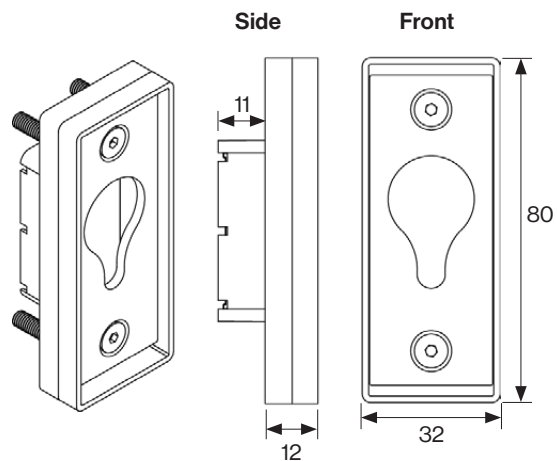
Striker

Depending on the configuration of the handle, the striker supplied is designed to either sit flush with the face of the closing jamb or recessed into the closing jamb. Striker cutout template and instructions are supplied with your handle and cover installation into a flush or recessed closing jamb.

Flush Striker - Passage and Privacy Handles



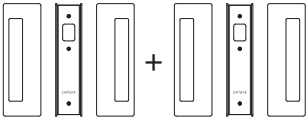
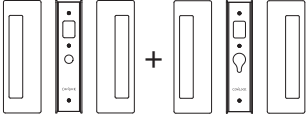
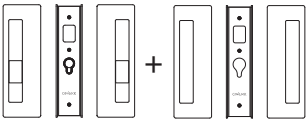
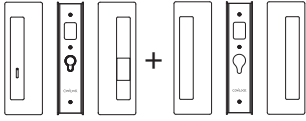
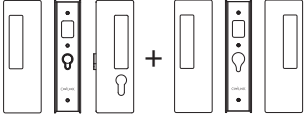
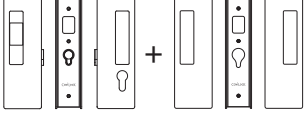
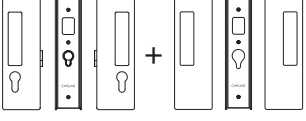
Recessed Striker - Key Locking Handles



© All copyright and other property in this document is reserved by Cavity Sliders Ltd. Details and specifications are subject to change without notice. Whilst all care is taken to ensure the accuracy of all information, no responsibility will be accepted for any errors or omissions. Dimensions are in mm. NZ Patent No. 733386, 628616. 08/2024



CL400® Magnetic Bi-Parting Product Codes

Function	Finish	Door Thickness			
		34-40mm	40-46mm	46-52mm	52-58mm
Passage (Non-latching) 	Bright Chrome	CL400D0025	CL400D0026	CL400D0027	CL400D0031
	Satin Chrome	CL400D0125	CL400D0126	CL400D0127	CL400D0131
	ORB	CL400D0225	CL400D0226	CL400D0227	CL400D0231
	Satin Nickel	CL400D0325	CL400D0326	CL400D0327	CL400D0331
	Matte Black	CL400D0425	CL400D0426	CL400D0427	CL400D0431
Passage (Magnetic latching) 	Bright Chrome	CL400D0028	CL400D0029	CL400D0030	CL400D0033
	Satin Chrome	CL400D0128	CL400D0129	CL400D0130	CL400D0133
	ORB	CL400D0228	CL400D0229	CL400D0230	CL400D0233
	Satin Nickel	CL400D0328	CL400D0329	CL400D0330	CL400D0333
	Matte Black	CL400D0428	CL400D0429	CL400D0430	CL400D0433
Privacy Snib/Snib 	Bright Chrome	CL400D0035	CL400D0040	CL400D0045	CL400D0076
	Satin Chrome	CL400D0135	CL400D0140	CL400D0145	CL400D0176
	ORB	CL400D0235	CL400D0240	CL400D0245	CL400D0276
	Satin Nickel	CL400D0335	CL400D0340	CL400D0345	CL400D0376
	Matte Black	CL400D0435	CL400D0440	CL400D0445	CL400D0476
Privacy Emerg/Snib 	Bright Chrome	CL400D0038	CL400D0043	CL400D0048	CL400D0078
	Satin Chrome	CL400D0138	CL400D0143	CL400D0148	CL400D0178
	ORB	CL400D0238	CL400D0243	CL400D0248	CL400D0278
	Satin Nickel	CL400D0338	CL400D0343	CL400D0348	CL400D0378
	Matte Black	CL400D0438	CL400D0443	CL400D0448	CL400D0478
Key Locking Blank/Key 	Bright Chrome	CL400D0050	CL400D0060	CL400D0070	CL400D0079
	Satin Chrome	CL400D0150	CL400D0160	CL400D0170	CL400D0179
	ORB	CL400D0250	CL400D0260	CL400D0270	CL400D0279
	Satin Nickel	CL400D0350	CL400D0360	CL400D0370	CL400D0379
	Matte Black	CL400D0450	CL400D0460	CL400D0470	CL400D0479
Key Locking Snib/Key 	Bright Chrome	CL400D0052	CL400D0062	CL400D0072	CL400D0080
	Satin Chrome	CL400D0152	CL400D0162	CL400D0172	CL400D0180
	ORB	CL400D0252	CL400D0262	CL400D0272	CL400D0280
	Satin Nickel	CL400D0352	CL400D0362	CL400D0372	CL400D0380
	Matte Black	CL400D0452	CL400D0462	CL400D0472	CL400D0480
Key Locking Key/Key 	Bright Chrome	CL400D0055	CL400D0065	CL400D0075	CL400D0081
	Satin Chrome	CL400D0155	CL400D0165	CL400D0175	CL400D0181
	ORB	CL400D0255	CL400D0265	CL400D0275	CL400D0281
	Satin Nickel	CL400D0355	CL400D0365	CL400D0375	CL400D0381
	Matte Black	CL400D0455	CL400D0465	CL400D0475	CL400D0481

© All copyright and other property in this document is reserved by Cavity Sliders Ltd.
 Details and specifications are subject to change without notice. Whilst all care is taken to ensure the accuracy of all information, no responsibility will be accepted for any errors or omissions.
 Dimensions are in mm. **NZ Patent No. 733386, 628616. 08/2024**

CavitySliders.com

info@cavitysliders.co.nz

0800 754 337

